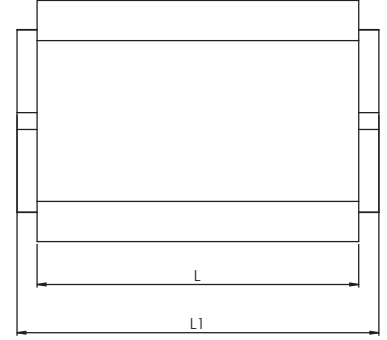
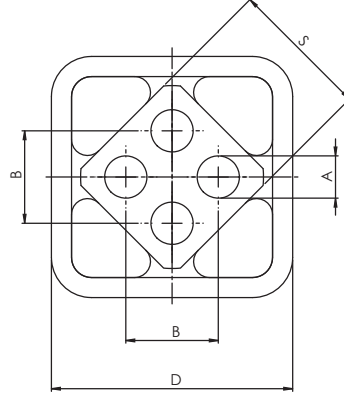


RUOST

RUBBER OSCILLATION SUSPENSION TECHNOLOGY



**SÜSPANSİYON
SUSPENSION**

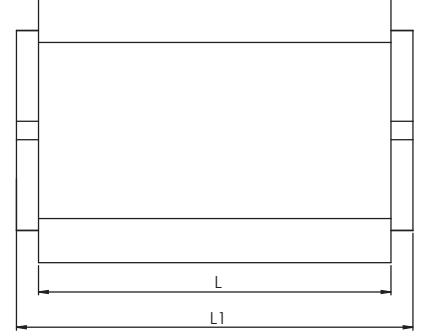
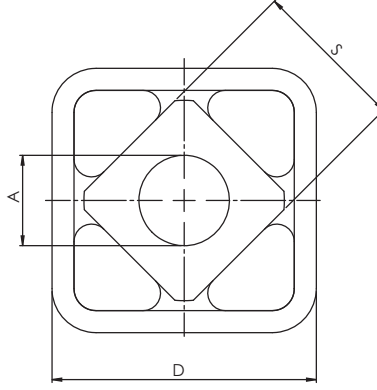


ADR-A Serisi / Series

Model Type	$\text{Ø}A_{0}^{+0.5}$	B	□D	□S	L	L1	Torque M in Nm at $\angle\alpha$						Ağırlık Weight (Kg)
							5°	10°	15°	20°	25°	30°	
ADR-A 15x25	5	10	30	16	25	30	0.7	1.6	2.6	4.0	5.7	8.2	0.10
ADR-A 15x40	5	10	30	16	40	45	1.1	2.5	4.2	6.4	9.2	13.2	0.16
ADR-A 15x60	5	10	30	16	60	65	1.6	3.8	6.3	9.6	13.8	19.8	0.24
ADR-A 18x30	6	12	35	18	30	35	1.9	4.5	7.5	11.0	15.0	20.6	0.15
ADR-A 18x50	6	12	35	18	50	55	3.2	7.5	12.5	18.3	25.0	34.4	0.24
ADR-A 18x80	6	12	35	18	80	85	5.1	12.0	20.0	29.3	40.0	55.0	0.38
ADR-A 27x40	8	18	40	25	40	45	4.7	10.7	17.5	26.9	39.5	57.0	0.16
ADR-A 27x60	8	18	40	25	60	65	7.0	16.0	26.3	40.3	59.3	85.5	0.24
ADR-A 27x100	8	18	40	25	100	105	11.7	26.7	43.8	67.2	98.8	142.5	0.40
ADR-A 38x60	10	25	60	35	60	70	13.0	30.4	50.6	78.0	113.0	162.0	0.71
ADR-A 38x80	10	25	60	35	80	90	17.3	40.5	67.5	104.0	151.0	216.0	0.94
ADR-A 38x120	10	25	60	35	120	130	26.1	60.8	101.2	156.0	226.0	324.0	1.38
ADR-A 45x80	12	35	80	45	80	90	27.6	62.4	104.0	160.0	222.0	320.0	1.45
ADR-A 45x100	12	35	80	45	100	110	34.5	78.0	130.0	200.0	278.0	400.0	1.80
ADR-A 45x150	12	35	80	45	150	160	51.8	117.0	195.0	300.0	420.0	600.0	2.69
ADR-A 50x120	M12x40	40	80	50	120	130	51.0	133.0	250.0	395.0	570.0	780.0	2.38
ADR-A 50x200	M12x40	40	80	50	200	210	102.0	260.0	475.0	745.0	1070.0	1450.0	3.98
ADR-A 50x300	M12x40	40	80	50	300	310	150.0	385.0	700.0	1100.0	1590.0	2160.0	5.98

İç profildeki iki veya dört delikle montaj yapılarak profilin 5 derece ile 30 derece arasında yön değiştirmesine olanak verir. Elemanın sabit konumdan sapma yapması için kullanılır.

By mounting with two or four holes in the inner profile, it allows the profile to change direction between 5 degrees and 30 degrees. It is used for the element to deviate from the fixed position.

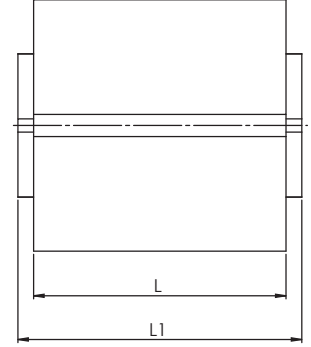
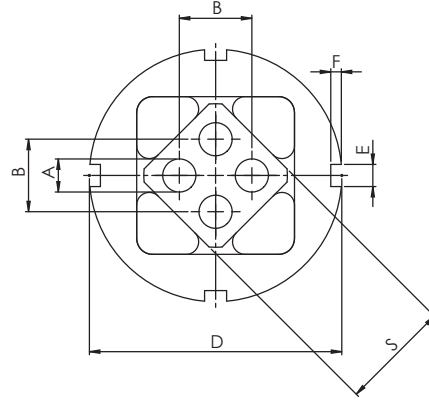
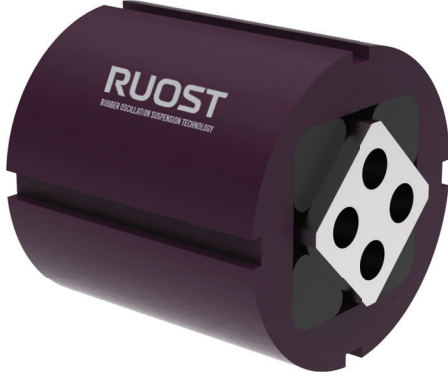


ADR-C Serisi / Series

Model Type	$\varnothing A_{+0.5}^0$	□ D	□ S	L	L1	Torque M in Nm at $\sphericalangle \alpha$						Ağırlık Weight (Kg)
						5°	10°	15°	20°	25°	30°	
ADR-C 15x25	10	30	16	25	30	0.7	1.6	2.6	4.0	5.7	8.2	0.10
ADR-C 15x40	10	30	16	40	45	1.1	2.5	4.2	6.4	9.2	13.2	0.16
ADR-C 15x60	10	30	16	60	65	1.6	3.8	6.3	9.6	13.8	19.8	0.24
ADR-C 18x30	13	35	18	30	35	1.9	4.5	7.5	11.0	15.0	20.6	0.15
ADR-C 18x50	13	35	18	50	55	3.2	7.5	12.5	18.3	25.0	34.4	0.24
ADR-C 18x80	13	35	18	80	85	5.1	12.0	20.0	29.3	40.0	55.0	0.38
ADR-C 27x40	16	40	25	40	45	4.7	10.7	17.5	26.9	39.5	57.0	0.16
ADR-C 27x60	16	40	25	60	65	7.0	16.0	26.3	40.3	59.3	85.5	0.24
ADR-C 27x100	16	40	25	100	105	11.7	26.7	43.8	67.2	98.8	142.5	0.40
ADR-C 38x60	20	60	35	60	70	13.0	30.4	50.6	78.0	113.0	162.0	0.72
ADR-C 38x80	20	60	35	80	90	17.3	40.5	67.5	104.0	151.0	216.0	0.95
ADR-C 38x120	20	60	35	120	130	26.1	60.8	101.2	156.0	226.0	324.0	1.39
ADR-C 45x80	24	80	45	80	90	27.6	62.4	104.0	160.0	222.0	320.0	1.46
ADR-C 45x100	24	80	45	100	110	34.5	78.0	130.0	200.0	278.0	400.0	1.81
ADR-C 50x120	30	80	50	120	130	51.0	133.0	250.0	395.0	570.0	780.0	2.21
ADR-C 50x200	30	80	50	200	210	102.0	260.0	475.0	745.0	1070.0	1450.0	3.65

360 derece montaj bağlantı olanağı sağlayan ADR-C salınım elemanı iç kare çubuktaki boş delikten somun ve civata ile aparat bağlamaya uygun tasarlanmıştır.

ADR-C swing element providing 360-degree mounting connection. It is designed to connect the apparatus with nuts and bolts through the empty hole in the inner square bar.

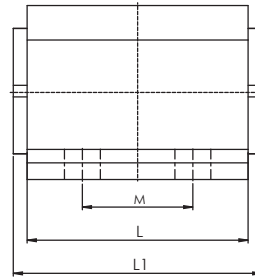
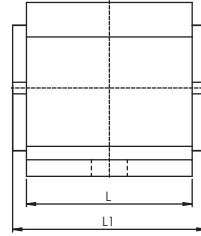
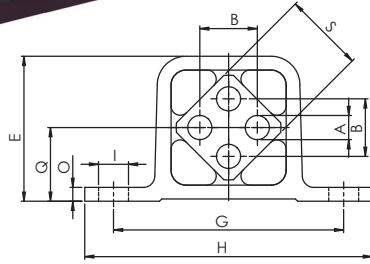
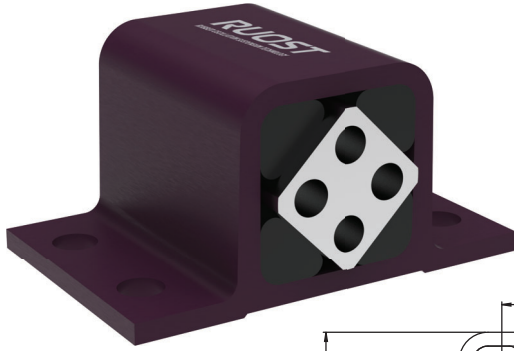


ADK-A Serisi / Series

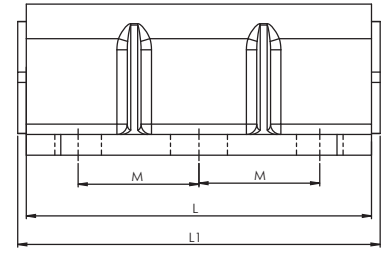
Model Type	ØA	B	D	E	F	□ S	L	L1	Torque M in Nm at $\angle\alpha$						Ağırlık Weight (Kg)
									5°	10°	15°	20°	25°	30°	
ADK-A 15x25	5	10	36	5	2.5	16	25	30	0.7	1.6	2.6	4.0	5.7	8.2	0.07
ADK-A 15x40	5	10	36	5	2.5	16	40	45	1.1	2.5	4.2	6.4	9.2	13.2	0.11
ADK-A 15x60	5	10	36	5	2.5	16	60	65	1.6	3.8	6.3	9.6	13.8	19.8	0.16
ADK-A 18x30	6	12	45	5	2.5	18	30	35	1.9	4.5	7.5	11.0	15.0	20.6	0.12
ADK-A 18x50	6	12	45	5	2.5	18	50	55	3.2	7.5	12.5	18.3	25.0	34.4	0.20
ADK-A 18x80	6	12	45	5	2.5	18	80	85	5.1	12.0	20.0	29.3	40.0	55.0	0.31
ADK-A 27x40	8	18	62	6	3	25	40	45	4.7	10.7	17.5	26.9	39.5	57.0	0.25
ADK-A 27x60	8	18	62	6	3	25	60	65	7.0	16.0	26.3	40.3	59.3	85.5	0.37
ADK-A 27x100	8	18	62	6	3	25	100	105	11.7	26.7	43.8	67.2	98.8	142.5	0.62
ADK-A 38x60	10	25	80	7	3.5	35	60	70	13.0	30.4	50.6	78.0	113.0	162.0	0.63
ADK-A 38x80	10	25	80	7	3.5	35	80	90	17.3	40.5	67.5	104.0	151.0	216.0	0.83
ADK-A 38x120	10	25	80	7	3.5	35	120	130	26.1	60.8	101.2	156.0	226.0	324.0	1.21
ADK-A 45x80	12	35	95	8	4	45	80	90	27.6	62.4	104.0	160.0	222.0	320.0	1.10
ADK-A 45x100	12	35	95	8	4	45	100	110	34.5	78.0	130.0	200.0	278.0	400.0	1.37
ADK-A 45x150	12	35	95	8	4	45	150	160	51.8	117.0	195.0	300.0	420.0	600.0	2.03
ADK-A 50x120	M12x40	40	108	8	4	50	120	130	51.0	133.0	250.0	395.0	570.0	780.0	2.39
ADK-A 50x200	M12x40	40	108	8	4	50	200	210	102.0	260.0	475.0	745.0	1070.0	1450.0	3.99
ADK-A 50x300	M12x40	40	108	8	4	50	300	310	150.0	385.0	700.0	1100.0	1590.0	2160.0	5.99

ADK-A salınım elemanı, yuvarlak gövde ve iç kare çubuktan oluşur. İkili, dördü veya her bir delikte kılavuz diş çekilmiş olarak sipariş edilebilir. Makinaya bağlantı gövdenin üzerindeki girintilerden sabitlenerek üzerine takılan ikinci şasesinin yön değiştirmesine olanak verir.

ADK-A swing element, round body and inner square bar, double, quad, or each can be ordered with tapped thread in the hole. The connection to the machine is fixed from the recesses on the body and allows the second chassis mounted on it to change direction.



Size 50 x 200

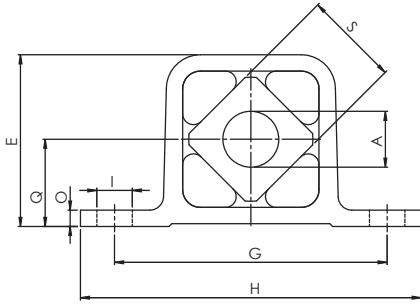
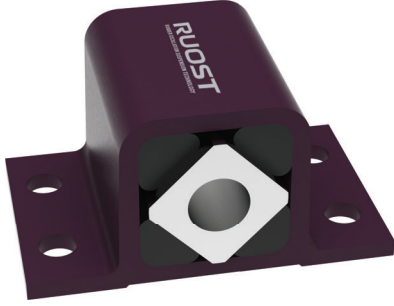


ADW-A Serisi / Series

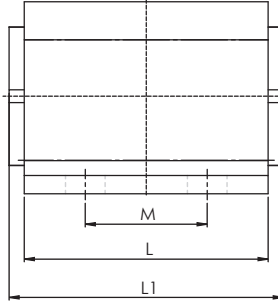
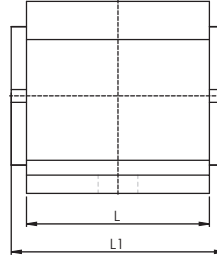
Model Type	$\varnothing A_{+0.5}^0$	B	E	G	H	$\varnothing I$	O	Q	$\square S$	L	L1	M	Torque M in Nm at α						Ağırlık Weight (Kg)
													5°	10°	15°	20°	25°	30°	
ADW-A 15x25	5	10	31	50	65	7	3	16	16	25	30	-	0.7	1.6	2.6	4.0	5.7	8.2	0.07
ADW-A 15x40	5	10	31	50	65	7	3	16	16	40	45	-	1.1	2.5	4.2	6.4	9.2	13.2	0.11
ADW-A 15x60	5	10	31	50	65	7	3	16	16	60	65	40	1.6	3.8	6.3	9.6	13.8	19.8	0.17
ADW-A 18x30	6	12	37	60	80	9	3,5	19	18	30	35	-	1.9	4.5	7.5	11.0	15.0	20.6	0.11
ADW-A 18x50	6	12	37	60	80	9	3,5	19	18	50	55	-	3.2	7.5	12.5	18.3	25.0	34.4	0.19
ADW-A 18x80	6	12	37	60	80	9	3,5	19	18	80	85	50	5.1	12.0	20.0	29.3	40.0	55.0	0.29
ADW-A 27x40	8	18	46	80	105	11	4,5	23,5	25	40	45	-	4.7	10.7	17.5	26.9	39.5	57.0	0.18
ADW-A 27x60	8	18	46	80	105	11	4,5	23,5	25	60	65	-	7.0	16.0	26.3	40.3	59.3	85.5	0.27
ADW-A 27x100	8	18	46	80	105	11	4,5	23,5	25	100	105	60	11.7	26.7	43.8	67.2	98.8	142.5	0.44
ADW-A 38x60	10	25	63	100	125	13	6	32	35	60	70	-	13.0	30.4	50.6	78.0	113.0	162.0	0.51
ADW-A 38x80	10	25	63	100	125	13	6	32	35	80	90	40	17.3	40.5	67.5	104.0	151.0	216.0	0.67
ADW-A 38x120	10	25	63	100	125	13	6	32	35	120	130	80	26.0	60.8	101.2	156.0	226.0	324.0	0.99
ADW-A 45x80	12	35	81	115	145	13x27	9	41	45	80	90	-	27.6	62.4	104.0	160.0	222.0	320.0	1.08
ADW-A 45x100	12	35	81	115	145	13x27	9	41	45	100	110	58	34.5	78.0	130.0	200.0	278.0	400.0	1.35
ADW-A 45x150	12	35	81	115	145	13x27	9	41	45	150	160	90	51.8	117.0	195.0	300.0	420.0	600.0	2.00
ADW-A 50x120	M12x40	40	88	130	170	17x27	12	45	50	120	130	60	51.0	133.0	250.0	395.0	570.0	780.0	1.91
ADW-A 50x160	M12x40	40	88	130	170	17x27	12	45	50	160	170	70	77.0	197.0	363.0	570.0	820.0	1115.0	2.57
ADW-A 50x200	M12x40	40	88	130	170	17x27	12	45	50	200	210	70	102.0	260.0	475.0	745.0	1070.0	1450.0	3.18

ADW-A salınım elemanları , iç kare çubuk , ikili , dörtlü veya her bir delikte kılavuz diş çekilmiş şekilde sipariş edilebilir. Gövde üzerinde bulunan ayaklardan montaj yapılmalıdır.

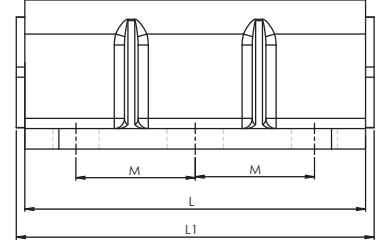
ADW-A swing members can be ordered with inner square bar, double, quadruple or tapped in each hole. Mounting should be done from the feet on the body.



Sizes 15 to 50 x 160



Size 50 x 200

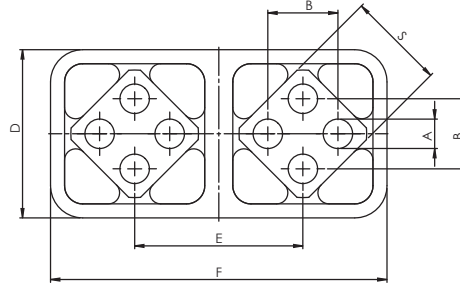


ADW-C Serisi / Series

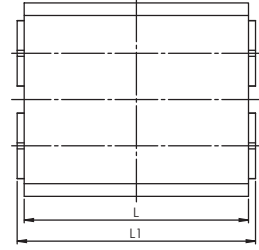
Model Type	$\varnothing A^{+0.5}_0$	E	G	H	ØI	O	Q	□S	L	L1	M	Torque M in Nm at $\angle \alpha$						Ağırlık Weight (Kg)
												5°	10°	15°	20°	25°	30°	
ADW-C 15x25	10	31	50	65	7	3	16	16	25	30	-	0.7	1.6	2.6	4.0	5.7	8.2	0.08
ADW-C 15x40	10	31	50	65	7	3	16	16	40	45	-	1.1	2.5	4.2	6.4	9.2	13.2	0.12
ADW-C 15x60	10	31	50	65	7	3	16	16	60	65	40	1.6	3.8	6.3	9.6	13.8	19.8	0.17
ADW-C 18x30	13	37	60	80	9	3,5	19	18	30	35	-	1.9	4.5	7.5	11.0	15.0	20.6	0.11
ADW-C 18x50	13	37	60	80	9	3,5	19	18	50	55	-	3.2	7.5	12.5	18.3	25.0	34.4	0.18
ADW-C 18x80	13	37	60	80	9	3,5	19	18	80	85	50	5.1	12.0	20.0	29.3	40.0	55.0	0.29
ADW-C 27x40	16	46	80	105	11	4,5	23,5	25	40	45	-	4.7	10.7	17.5	26.9	39.5	57.0	0.18
ADW-C 27x60	16	46	80	105	11	4,5	23,5	25	60	65	-	7.0	16.0	26.3	40.3	59.3	85.5	0.27
ADW-C 27x100	16	46	80	105	11	4,5	23,5	25	100	105	60	11.7	26.7	43.8	67.2	98.8	142.5	0.44
ADW-C 38x60	20	63	100	125	13	6	32	35	60	70	-	13.0	30.4	50.6	78.0	113.0	162.0	0.51
ADW-C 38x80	20	63	100	125	13	6	32	35	80	90	40	17.3	40.5	67.5	104.0	151.0	216.0	0.67
ADW-C 38x120	20	63	100	125	13	6	32	35	120	130	80	26.0	60.8	101.2	156.0	226.0	324.0	1.00
ADW-C 45x80	24	81	115	145	13x27	9	41	45	80	90	-	27.6	62.4	104.0	160.0	222.0	320.0	1.10
ADW-C 45x100	24	81	115	145	13x27	9	41	45	100	110	58	34.5	78.0	130.0	200.0	278.0	400.0	1.35
ADW-C 45x150	24	81	115	145	13x27	9	41	45	150	160	90	51.8	117.0	195.0	300.0	420.0	600.0	2.00
ADW-C 50x120	30	88	130	170	17x27	12	45	50	120	130	60	51.0	133.0	250.0	395.0	570.0	780.0	1.90
ADW-C 50x160	30	88	130	170	17x27	12	45	50	160	170	70	77.0	197.0	363.0	570.0	820.0	1115.0	2.50
ADW-C 50x200	30	88	130	170	17x27	12	45	50	200	210	70	102.0	260.0	475.0	745.0	1070.0	1450.0	3.10

ADW-C salınım elemanı gövdeleri alüminyum profilden ve iç kare parça alüminyum alaşımdan üretilmiştir. İç kare parça merkezinde boydan boya geçen tek delik ile manivela koluna sabitlenir.

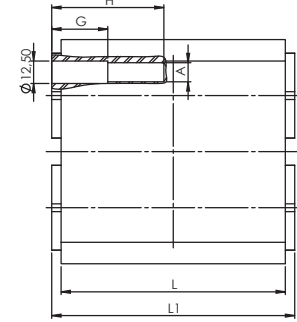
ADW-C rubber suspension bodies are manufactured from aluminum profile and inner square piece of aluminum alloy. The inner square piece is fixed to the lever arm with a single hole through its center.



Sizes 15 to 45



Size 50

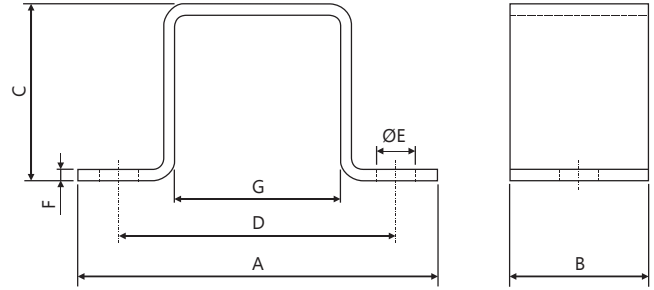
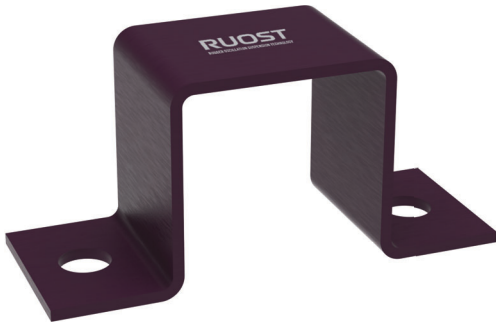


ADO-A Serisi / Series

Model Type	$\varnothing A_{0}^{+0.5}$	B	D	E	F	□S	G	H	L	L1	Torque M in Nm at α						Ağırlık Weight (Kg)
											5°	10°	15°	20°	25°	30°	
ADO-A 15x25	5	10	30	27,5	57,5	16	-	-	25	30	0.7	1.6	2.6	4.0	5.7	8.2	0.13
ADO-A 15x40	5	10	30	27,5	57,5	16	-	-	40	45	1.1	2.5	4.2	6.4	9.2	13.2	0.19
ADO-A 15x60	5	10	30	27,5	57,5	16	-	-	60	65	1.6	3.8	6.3	9.6	13.8	19.8	0.28
ADO-A 18x30	6	12	36	33	69	18	-	-	30	35	1.9	4.5	7.5	11.0	15.0	20.6	0.19
ADO-A 18x50	6	12	36	33	69	18	-	-	50	55	3.2	7.5	12.5	18.3	25.0	34.4	0.31
ADO-A 18x80	6	12	36	33	69	18	-	-	80	85	5.1	12.0	20.0	29.3	40.0	55.0	0.49
ADO-A 27x40	8	18	44	41	85	25	-	-	40	45	4.7	10.7	17.5	26.9	39.5	57.0	0.26
ADO-A 27x60	8	18	44	41	85	25	-	-	60	65	7.0	16.0	26.3	40.3	59.3	85.5	0.39
ADO-A 27x100	8	18	44	41	85	25	-	-	100	105	11.7	26.7	43.8	67.2	98.8	142.5	0.64
ADO-A 38x60	10	25	60	60	120	35	-	-	60	70	13.0	30.4	50.6	78.0	113.0	162.0	0.81
ADO-A 38x80	10	25	60	60	120	35	-	-	80	90	17.3	40.5	67.5	104.0	151.0	216.0	1.06
ADO-A 38x120	10	25	60	60	120	35	-	-	120	130	26.0	60.8	101.2	156.0	226.0	324.0	1.69
ADO-A 45x80	12	35	85	73	150	45	-	-	80	90	27.6	62.4	104.0	160.0	222.0	320.0	1.84
ADO-A 45x100	12	35	85	73	150	45	-	-	100	110	34.5	78.0	130.0	200.0	278.0	400.0	2.27
ADO-A 45x150	12	35	85	73	150	45	-	-	150	160	51.8	117.0	195.0	300.0	420.0	600.0	3.37
ADO-A 50x120	M12	40	89	78	168	50	30	60	120	130	51.0	133.0	250.0	395.0	570.0	780.0	5.48
ADO-A 50x160	M12	40	89	78	168	50	30	60	160	170	77.0	197.0	363.0	570.0	820.0	1115.0	7.18
ADO-A 50x200	M12	40	89	78	168	50	40	70	200	210	102.0	260.0	475.0	745.0	1070.0	1450.0	9.27

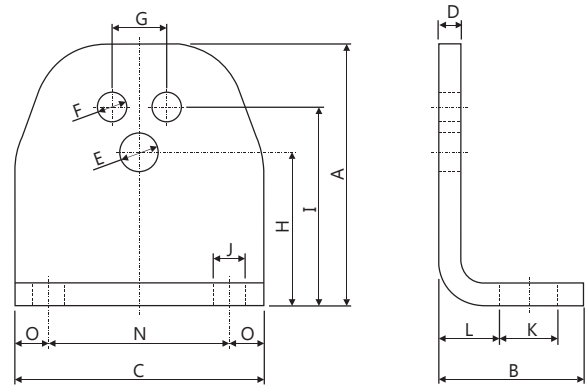
ADO-A tipi salınım elemanları , gövde alüminyum iç kare çubuk, ikili, dörtlü veya her bir delikte kılavuz diş çekilmiş olarak sipariş edilebilir. Üzerine takılan çift gerdirme profilinin ters yönlere çalışmasını sağlar. 30 derece sabit salınım açısında çift çalışma momentumu sunar.

ADO-A type swing elements, body aluminum inner square bar, double, quad, or each can be ordered with tapped thread in the hole. It allows the double tensioning profile attached to it to work in opposite directions. It offers double operating momentum at a fixed swing angle of 30 degrees.



ABR Serisi / Series

Model Type	A	B	C	D	ØE	F	G	Ağırlık Weight (Kg)
ABR 16	65	25	32	50	7	2	30	0,05
ABR 18	80	30	37	60	9	2	35	0,07
ABR 25	105	35	48	80	16	4	42	0,15
ABR 35	125	40	64	100	13	4	60	0,29
ABR 45	150	45	81	120	13	5	76	0,5
ABR 50	175	50	86	135	18	6	80	0,73



AWS Serisi / Series

Model Type	ASE	ADR-A	A	B	C	D	E	F	G	H	I	J	K	L	N	O	Ağırlık Weight (Kg)
AWS 16	11	15	48,5	30	45	4	6,5	5,5	10	27	35	7	13	11,5	30	7,5	0,1
AWS 18	15	18	58	38	55	5	8,5	6,5	12	34	44	7	13	19,5	40	7,5	0,17
AWS 25	18	27	74	42	70	6	10,5	8,5	18	43	55	9,5	15,5	20,5	50	10	0,3
AWS 35	27	38	100	52	90	8	12,5	10,5	23	57	75	11,5	21,5	21	65	12,5	0,7
AWS 45	38	45	117,2	55	110	8	16,5	12,5	35	66	85	14	24	21	80	15	0,95
AWS 50	45	50	145,5	66	140	8	20,5	12,5	40	80	110	18	30	26	100	20	1,5