



AVIBRO®

AP

TEKNİK KATALOG
TECHNICAL CATALOGUE **2020**

TEKNOLOJİ / TECHNOLOGY →

KALİTE / QUALITY →

PERFORMANS / PERFORMANCE →

VERİMLİLİK / PRODUCTIVITY →

GÜÇ / POWER →

TASARIM / DESIGN →

YENİLİK / INNOVATION →

TECRÜBE / KNOW-HOW →

SERVİS / SERVICE →



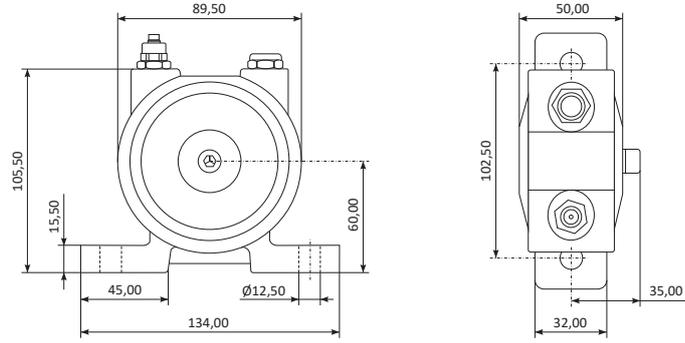
www.avibro.com

www.avibro.com

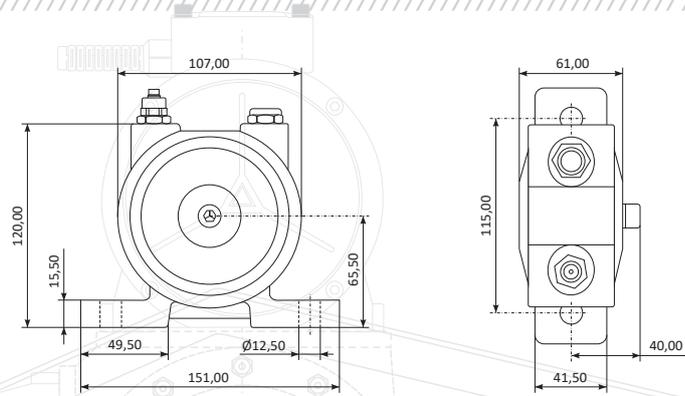
Rotary Bilyalı Pnömatik Vibrasyon Motorları / AP Rotary Ball Pneumatic Vibrations Motors

Model Type	Devir - Santrüfuj Kuvveti - Hava Tüketimi Rotations Per Minute - Centrifugal Force - Air Consumption															Ağırlık Weight (Kg)
	4 bar			5 bar			6 bar			7 bar			8 bar			
	rpm (rpm)	S.K C.F (kg/f)	Hava Cons. (m ³ /1')	rpm (rpm)	S.K C.F (kg/f)	Hava Cons. (m ³ /1')	rpm (rpm)	S.K C.F (kg/f)	Hava Cons. (m ³ /1')	rpm (rpm)	S.K C.F (kg/f)	Hava Cons. (m ³ /1')	rpm (rpm)	S.K C.F (kg/f)	Hava Cons. (m ³ /1')	
AP 25	6600	71	0,4	7200	87	0,54	7900	102	0,64	8500	121	0,71	9000	136	0,86	2,0
AP 35	4000	76	0,53	4500	96	0,64	5100	126	0,73	5600	157	0,86	6000	175	1,00	3,1

AP 25



AP 35





10026 SOK. NO:36/0 A.O.S.B. ÇİĞLİ - İZMİR

T.+90 232 504 50 09 • info@avibro.com

www.avibro.com